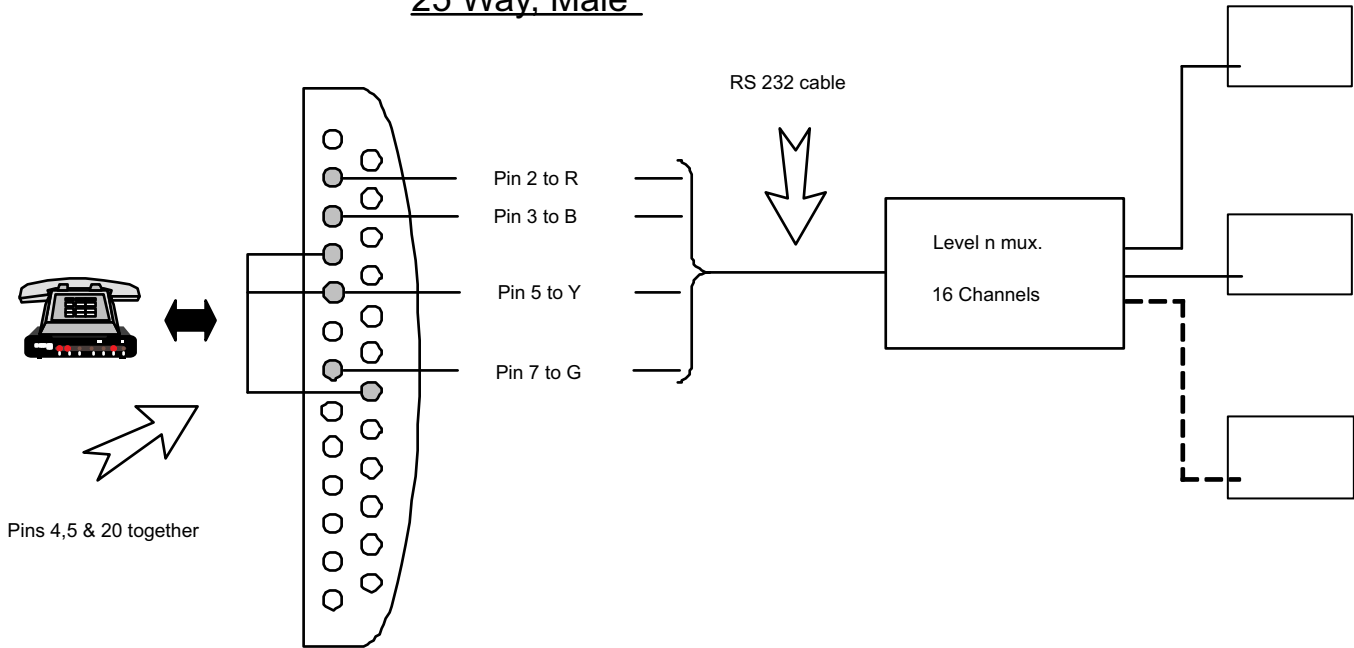
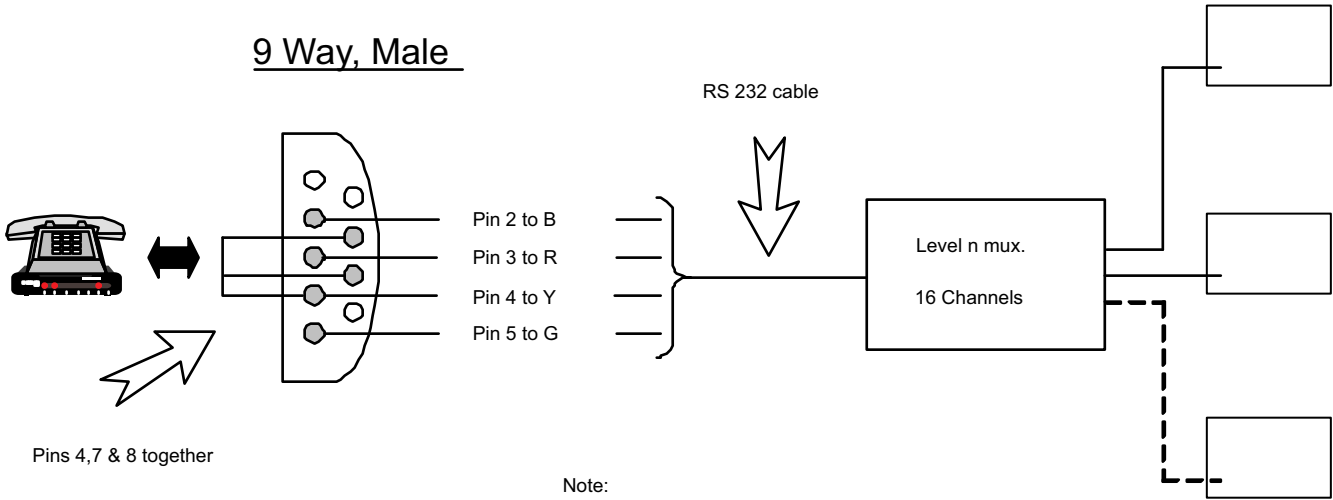


multiplexer to Modem connections

25 Way, Male



9 Way, Male



Note:
If connector is required to be FEMALE
then swap connections for Pins 2 and 3.