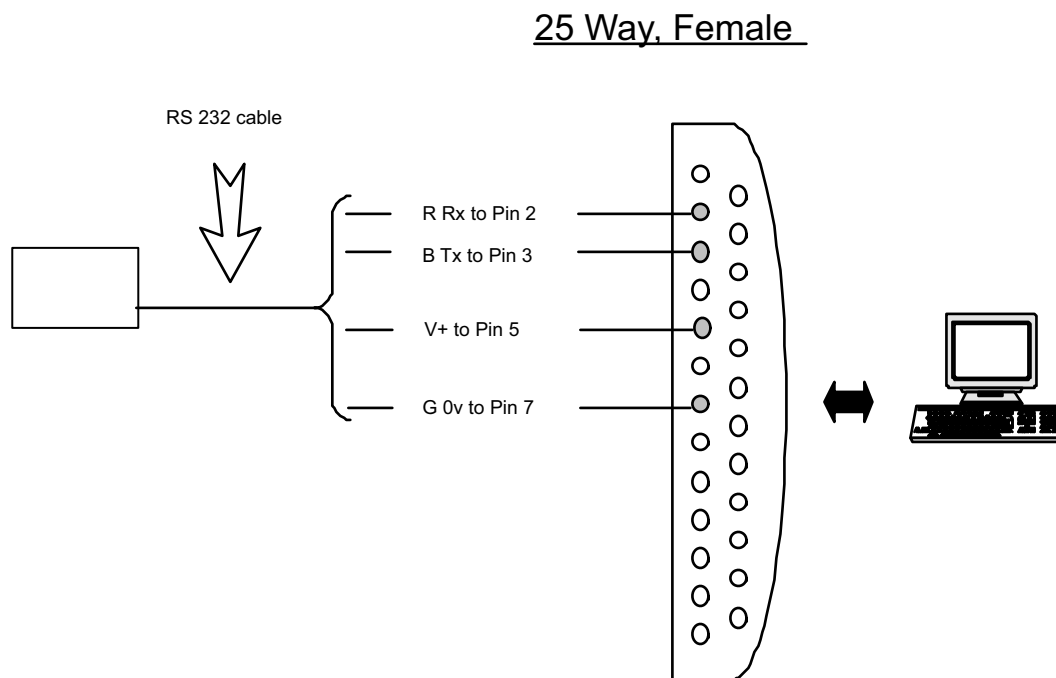
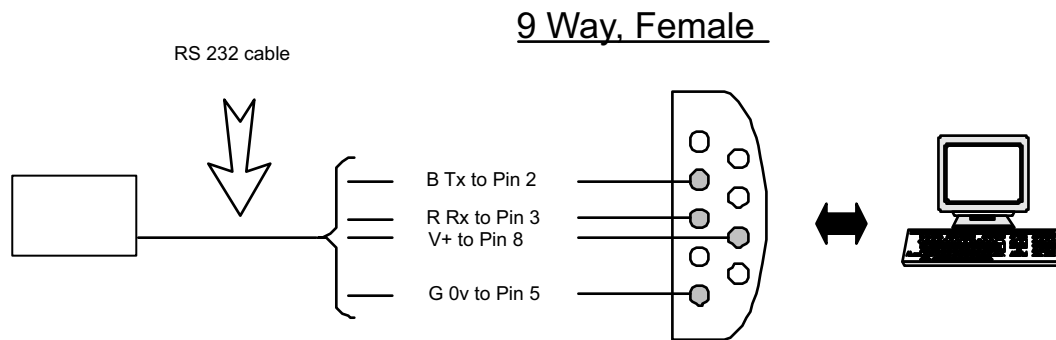


terminal to PC serial port via D-type connector



Note:
Terminal connections are via
the rs232 port on terminal PSU